



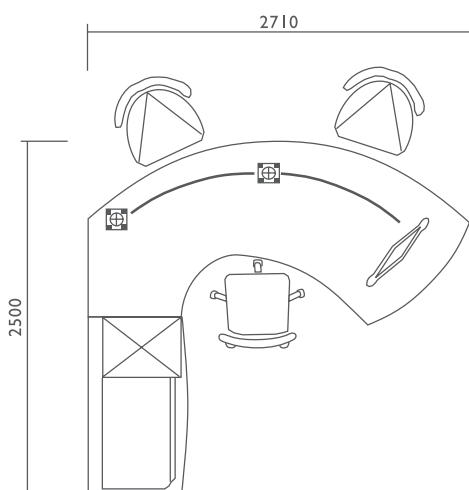
Apollo Executive Range

- ▶ high back arm chair
gas height adjustment
- ▶ high back arm chair
chrome sleigh frame
genuine leather or fabric

5 YEAR
GUARANTEE

Forum C.E.O. Features

- ▶ available in veneer finishes
- ▶ steel modesty panel
- ▶ tapered leg with chrome toe
- ▶ oval slag leg with matching insert



w.martinTeriors
furniture manufacturers

12 Proton Street, Stikland, Cape Town. PO Box 2251, Bellville, 7535
Tel: +27 21 949 4959 Fax: +27 21 949 1185
email: w.minteriors@mweb.co.za

www.wmartinteriors.co.za